

QuietQube® S-1200C Remote Ice Cube Machine

Air-cooled Ice Cube Machine
with Patented CVD Technology®



Manitowoc



Series 1200C Ice Cube Machine - 115V



CVD Condensing Unit - 230V



QuietQube® Series Remote System consists of a remote condensing unit, interconnecting refrigerant lines, ice machine head section, ice deflector, and ice storage unit— whether storage bin, countertop or floor-standing dispenser. All ordered separately. QuietQube ice machine with CVD condensing unit is designed as a Manitowoc system and not for use with any other ice machine or remote condenser brand.

- Up to 1,100 lbs. (499 kgs.) daily ice production
- **CEE Tier 1 energy and water efficiency rating.**
- Only 30" (76.2 cm) wide, 29.50" (74.9 cm) high
- Quiet operation eliminates most noise from the refrigeration system. Promotes relaxing atmosphere
- Patented CVD technology improves reliability and extends life of the compressor
- Ice machine is lighter in weight and 115 volt simplifies installation and reduces electrical installation cost
- Utility connections out the back or top of the unit maximize floor space and provide additional installation options
- Stainless steel exterior with the fit and finish of an appliance, enhances the display in any self-serve environment
- Patented cleaning and sanitizing technology
- Standard installation criteria facilitates easy replacement of existing remote condenser unit
- **Warranty**
 - 5-year parts and 5-year labor coverage on ice machine evaporator
 - 5-year parts and 3-year labor coverage on ice machine compressor
 - 3-year parts-and-labor coverage on all other ice machine, dispenser, and storage bin components

CEE  Energy Efficiency Ratings
Specified on Back

America's #1 Selling Ice Machine

Ice Cube & Flake Machines • Ice Storage Bins • Ice Dispensers

Manitowoc

Manitowoc QuietQube® S-1200C


REMOTE AIR-COOLED ICE MACHINE

Model	Ice Shape	Ice Production 24 hours				Power kWh/100 lbs. @90°/70°F			
		70°Air/50°FWater		90°Air/70°FWater		1 Ph	CEE* Rating	3 Ph	CEE* Rating
		lbs.	kgs.	lbs.	kgs.				
SD-1272C	dice	1095	497	975	442	5.3	Tier 1	5.2	Tier 1
SY-1274C	half-dice	1100	499	1000	454	5.3	Tier 1	5.2	Tier 1

Water usage/100 lbs./45.4 kgs. of ice • Potable Water: 19 gallons, 72 liters

Ice machine for use with ice storage bin or ice dispenser and CVD condensing unit all ordered separately.
*kWh per 100 lbs. is total power of ice machine and condensing unit. Ice machine is 1 ph only.
Condensing unit is 1 ph or 3 ph.

Consortium for Energy Efficiency (CEE) is a North American nonprofit organization that promotes energy-efficient products, technologies and services; also the principal entity for the development of ice maker efficiency standards.

 **Certified in Accordance with ARI Automatic Commercial Ice-Cube Machines (Batch-Type) Certification Program, which is based on ARI Standard 810**

24-HOUR PRODUCTION†						lbs. kgs.		
AIR-COOLED	HALF-DICE CUBE			DICE CUBE				
	air temp	water temp		air temp	water temp			
	°F	50°	70°	90°	°F	50°	70°	90°
	°C	10°	21°	32°	°C	10°	21°	32°
	-20° to 70°	1100	1020	945	70°	1095	1020	940
-29° to 21°	499	463	429	21°	497	463	426	
80°	1058	1010	913	80°	1048	998	903	
27°	480	458	414	27°	475	452	409	
90°	1015	1000	880	90°	1000	975	865	
32°	460	454	399	32°	454	442	392	

Ice Machine Electric

115/60/1 standard. (230/50/1 also available, consult factory.)

Total Amps: 2.5

Max. fuse size: 15 amps

HACR-type circuit breakers can be used in place of fuses.

AuCS®/SI Accessory



Automatic Cleaning System purchased factory installed in the machine or as an option for field retrofit.

Specifications

Operating Limits:

- **Ambient Temperature Range:** 35° to 130°F (1.7° to 54.4°C)
- **Water Temperature Range:** 35° to 90°F (1.7° to 32.2°C)
- **Water Pressure Ice Maker Water In:** Min. 20 psi (137.9 kPa) Max. 80 psi (551.1 kPa)

2 Cube Sizes Available

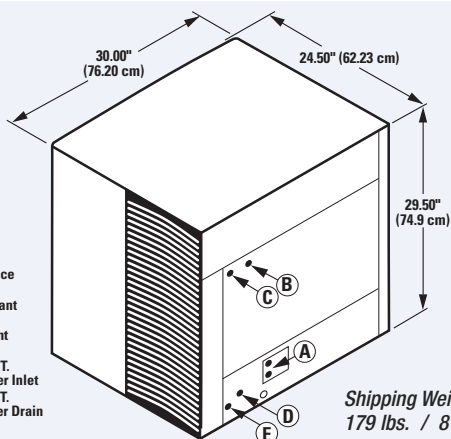


Half Dice
3/8" x 1 1/8" x 7/8"
(.95 x 2.86 x 2.22 cm)



Dice
7/8" x 7/8" x 7/8"
(2.22 x 2.22 x 2.22 cm)

1200C Ice Machine



- (A) Electrical Entrance (2) Options
- (B) Suction Refrigerant Shut-off Valve
- (C) Liquid Refrigerant Shut-off Valve
- (D) 3/8" (0.95 cm) F.P.T. Ice Making Water Inlet
- (E) 1/2" (1.27 cm) F.P.T. Ice Making Water Drain

CVD-1285 REMOTE CONDENSING UNIT

Installation Information and Dimensions:

Maximum Line Length—100' (30.5 m).
Maximum Vertical Rise*—35' (10.7 m) above ice machine.
Maximum Vertical Drop—15' (4.5 m) below ice machine.

*A rise over 20' (6 m) requires S-Trap Kit K-00166 - ordered separately.



Condensing Unit Electric

208-230/60/1 standard.

208-230/60/3 and 230/50/1 also available. 50 Hz version of this model meets the international standard, IEC335-1, requirements for "tropical rating," the most severe duty rating an ice machine can obtain, (consult factory). HACR-type circuit breakers can be used in place of fuses. **Note:** QuietQube ice machine is wired independent of CVD condensing unit.

Min. circuit ampacity: 25 1ph
20 3ph

Max. fuse size: 35 amps 1ph
20 amps 3ph

HACR-type circuit breakers can be used in place of fuses.

BTU Per Hour:

20,700 (average) 24,500 (peak)

Compressor:

Nominal rating: 2.25 HP

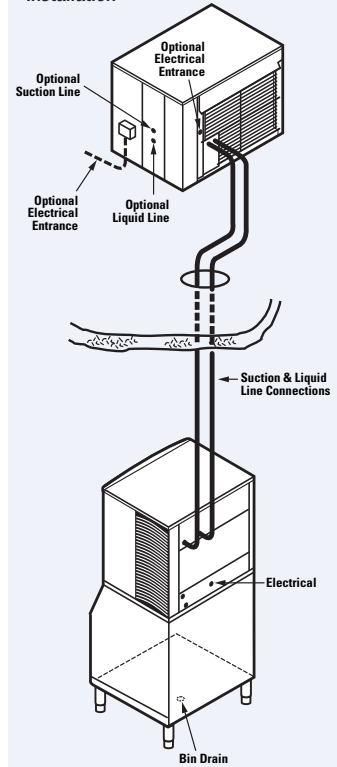
Operating Limits:

- **Ambient Temperature Range:** -20° to 130°F (-29° to 54°C)

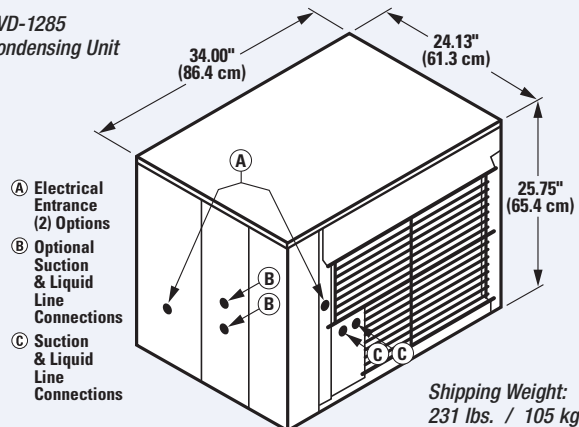
Standard Interconnecting Tubing

Model	Line Length		Weight	
	ft.	m.	lbs.	kgs.
RC-20	20	6	12	5
RC-30	30	9	20	9
RC-50	50	15	28	13

Typical Installation



CVD-1285 Condensing Unit



©2009 Manitowoc. 2009 Continuing product improvement may necessitate change of specifications without notice. 32003B



MANITOWOC ICE
2110 South 26th Street, P.O. Box 1720
Manitowoc, WI 54221-1720, USA
Ph: 920-682-0161 • Fax: 920-683-7589
Visit us online at www.manitowocice.com

