

# RF0300 Flake Ice Machine



Model RF0300A  
Flake Ice Machine  
on B-570 Bin

- Up to 311 lbs. (141 kgs.) daily flake ice production.
- High load capacity bearings for enhanced reliability.
- Heavy duty stainless steel cabinet resists corrosion.

#### Warranty

- 3-year Parts
- 2-year Labor
- Compressor parts for 5 years and labor for 2 years.



ISO 9001:2000  
Quality System  
Certified

**America's #1 Selling Ice Machine**

Ice Cube & Flake Machines • Ice Storage Bins • Ice Dispensers

**Manitowoc**

# Manitowoc RF0300 Flake Ice Machine

AIR-COOLED	Model	Ice Shape	Ice Production 24 Hrs.		Power kWh/ 100 lbs. 90°/70°F	Potable Water Usage (100 lbs./ 45.4 kgs. of Ice)
			70° Air / 50°F Water	90° Air / 70°F Water		
			RF0300A	Flake		

## Ice Machine Electric

115/60/1 standard. (230/50/1 also available.)

**Minimum circuit ampacity:** 10 amps.

**Maximum fuse size:** 15 amps.

HACR-type circuit breakers can be used in place of fuses.

## Specifications

### BTU Per Hour:

3,500 (average)

### Compressor:

Nominal rating: 1 HP

**Refrigerant:** R-404A

### Operating Limits:

- Ambient Temperature Range: 50°-110°F (10°-43°C)
- Water Temperature Range: 37°-90°F (3°-32°C)
- Water Pressure Ice Maker Water In: Min. 14 psi (96.5 kPa) Max. 80 psi (551.6 kPa)



## Standard Equipment

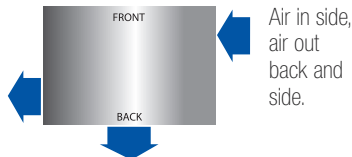
K-00404 30" B-Style Bin Adapter\*

\*adapter not for use with Large Capacity Bins

## Accessories

K-00405 48" B-Style Bin Adapter

## Air Flow Overhead View



## Space-Saving Designs

RF0300  
B-570

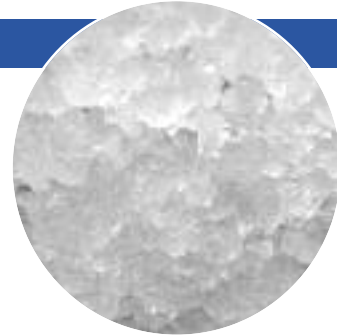


Height	71.85 182.50 cm
Width	30.00" 76.20 cm
Depth	34.00" 86.36 cm
Bin Storage	430 lbs. 195 kgs.

Height includes adjustable bin legs 6.00" to 7.00", (15.24 to 17.78 cm) set at 6.00" (15.24 cm).

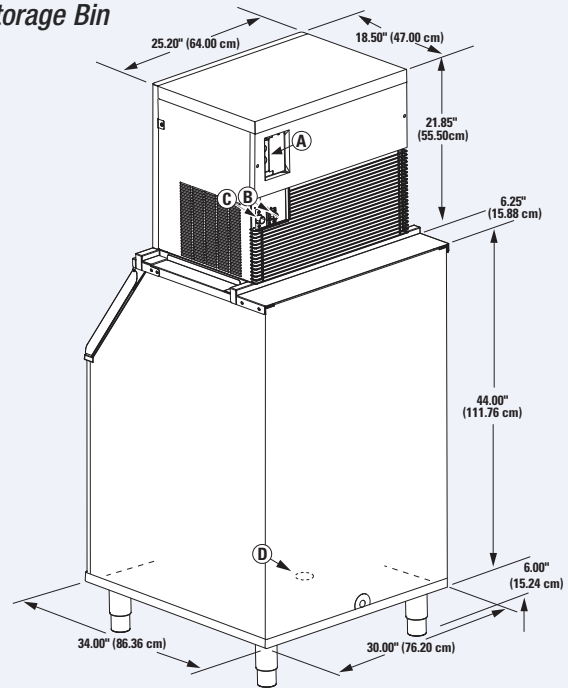
## Ice Shape

Flake ice is small hard bits of ice ideally suited for presentation applications.



Ice shown actual size

## RF0300 on B-570 Storage Bin



- A Electrical Entrance (2) Options
- B 3/8" (0.95 cm) N.P.T. Ice Making Water Inlet
- C 1/2" (1.27 cm) N.P.T. Ice Making Water Drain
- D 3/4" (1.91 cm) Bin Drain

**Installation Note** - Minimum installation clearance:  
Top/sides: 8" (20.32 cm), back: 5" (12.70 cm).



We are committed to protecting the environment and its resources. For up-to-date product data always view an electronic version on our web site.



MANITOWOC ICE  
2110 South 26th Street, P.O. Box 1720  
Manitowoc, WI 54221-1720, USA  
Ph: 920-682-0161 • Fax: 920-683-7589  
Visit us online at [www.manitowocice.com](http://www.manitowocice.com)

